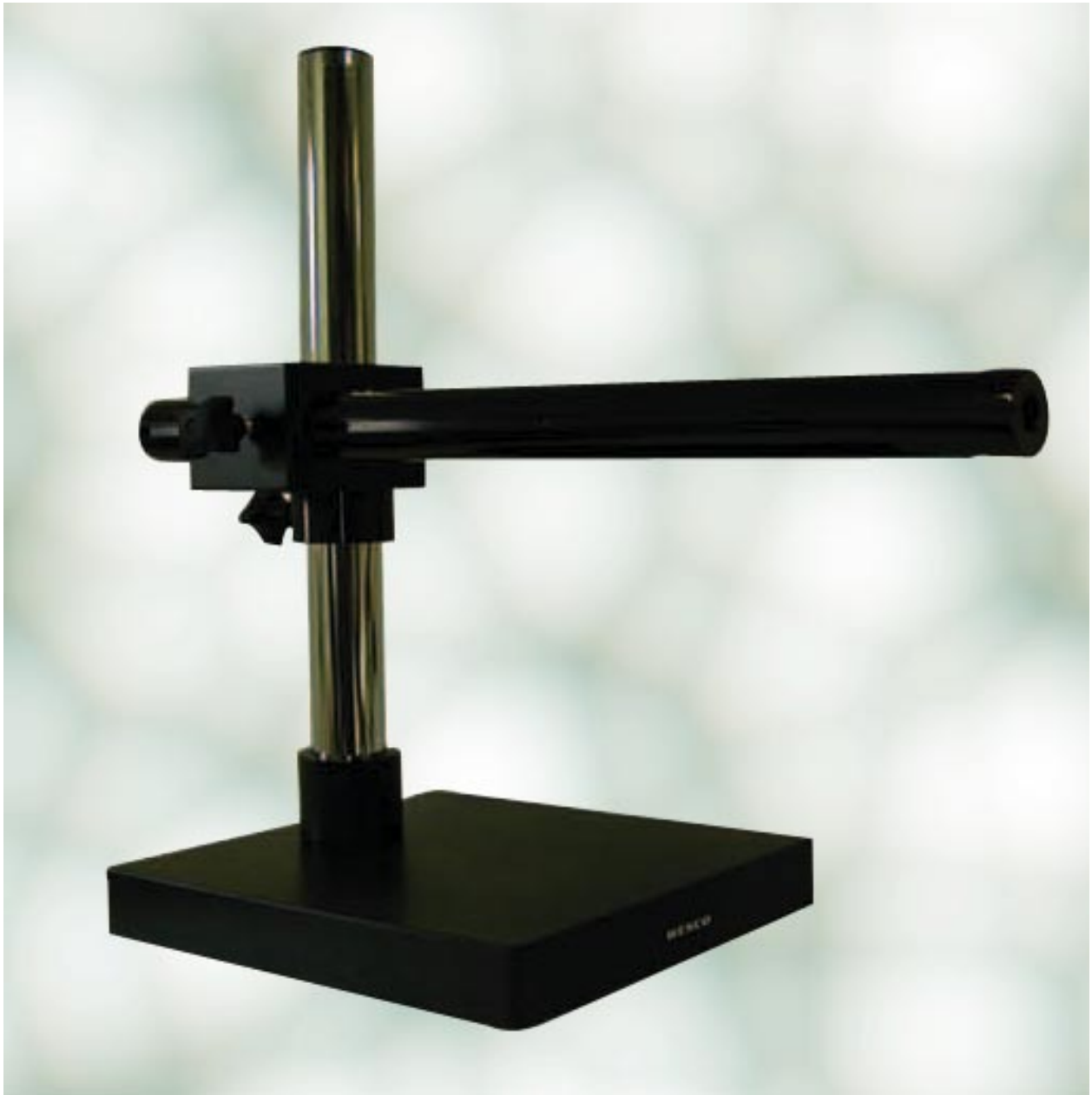


WESCO

Boom Stand

Boom Stands and Focus Mounts



Boom Stands



2120080
Bonder Arm

Bonder Arm

- § The WESCO bonder arm includes 76mm diameter pod holder with 5/8" arbor and 50mm focus travel.

Boom Stand

- § The WESCO boom stand provides a stable mount that will accommodate various size inspection and assembly operations, including mounting of stereo microscopes.



2120045
Dual Arm Boom Stand
with Precision Bearings



2120087
Tilting Drop Post

Tilting Drop Post

- § The WESCO tilting drop post is 25mm in diameter, 150mm in length with 5/8" arbor.

Focus Mount

- § The WESCO standard focus mount includes 76mm diameter pod holder, 25mm diameter post mount and 50mm focus travel.

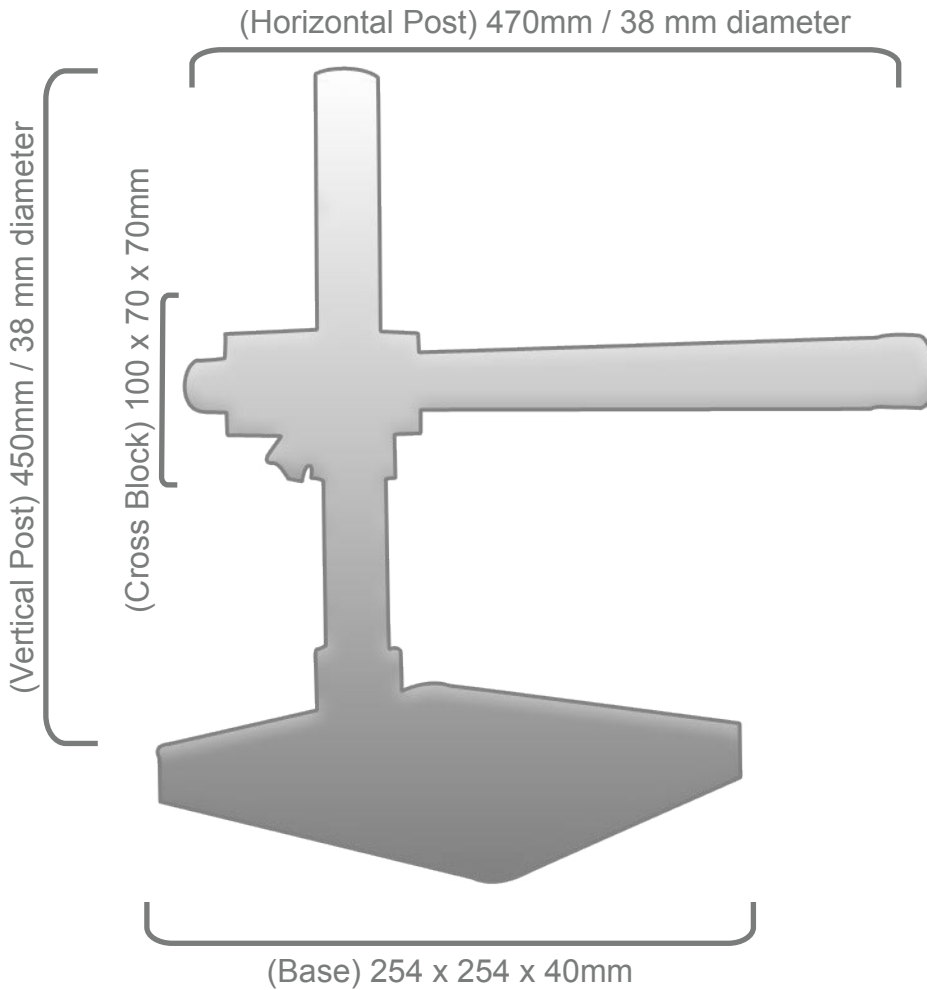


2120085
Focus Mount



2120040 Boom Stand

Dimensions & Features

**Horizontal Arm**

470mm x 38mm diameter with 5/8" hole for verticle or horizontal mount.

Vertical Post

450mm x 38mm diameter

Safety Collar**Base**

254mm x 254mm x 40mm
with rubber feet

Packaged Weight

42 lbs.

Packaged Dimensions

25"x13"x8.5"

WESCO

Western Scientific Company Incorporated

2112 West Burbank Boulevard Burbank CA 91506 U.S.A.

Ph: 800-48-WESCO Fax: 818-842-9459 Web: www.wescomicroscopes.com